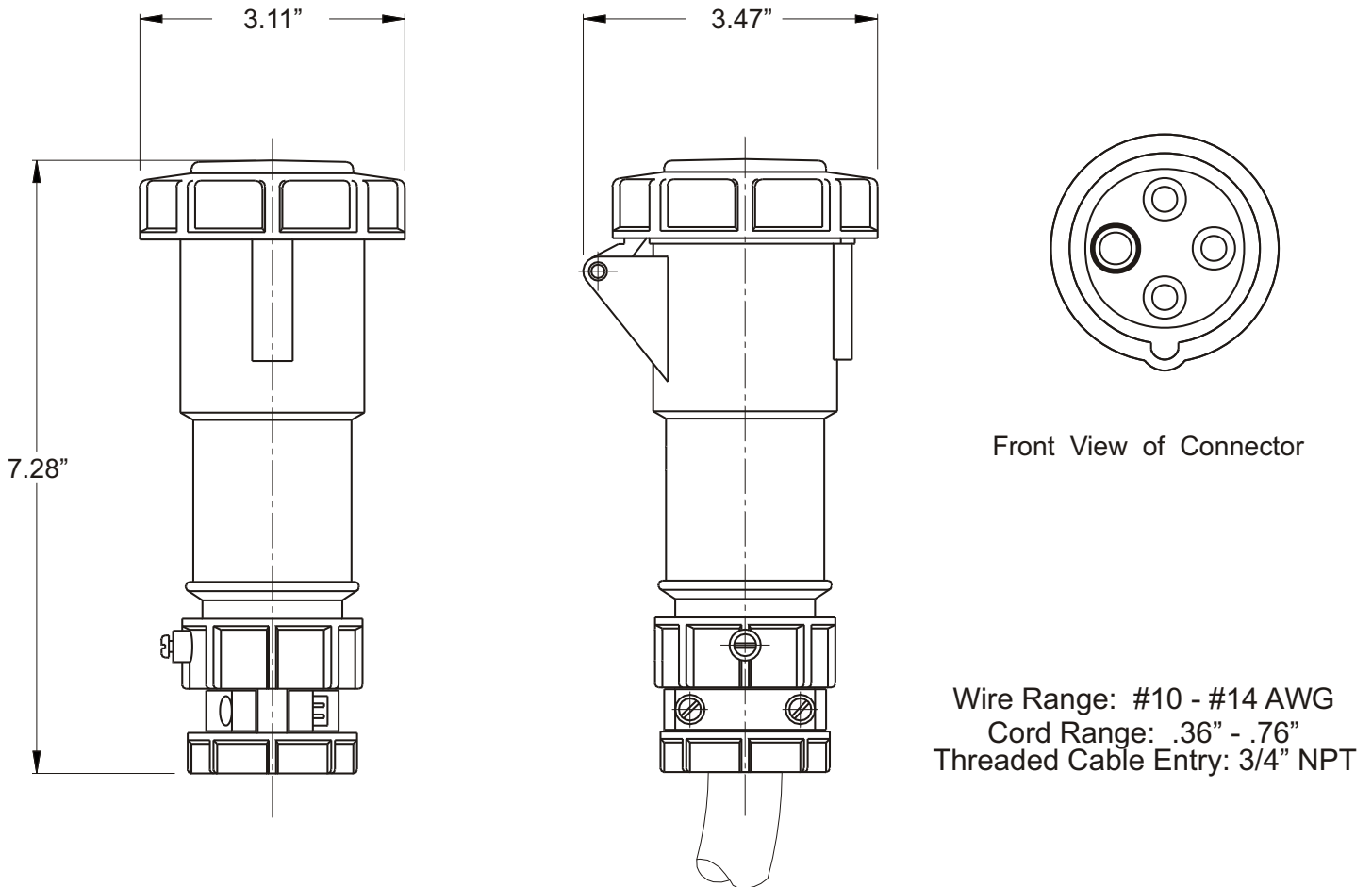


CONNECTOR, IN-LINE

Part No.	ME 420C9W
Description:	20 Amp 3 250Vac 3 Pole, 4 Wire Connector
Construction:	Watertight IEC IP 67
Approvals:	UL Listed Standards 1682; 1686 CSA Certification to Spec. C22.2 No. 182.1 IEC 60309-1; IEC 60309-2

IEC COLOR CODE: Blue

GROUND SOCKET: 9 Hour Position Mates with Male in 3 Hour Position.



Drawing Not to Scale